

BEFORE YOU BEGIN

- Observe all local plumbing and building codes.
- Prior to installation, unpack the new lavatory and inspect it for damage. Return the lavatory to its protective carton until you are ready to install it.
- All information in these instructions are based the latest product information available at the time of publication. Kohler China reserves the right to make changes in product characteristics, packaging, or availability at any time without notice.
- Fixture dimensions are nominal and conform to tolerances established by ASME Standards (A112.19.2-2013).
- The product complies with GB 6952-2015.

IMPORTANT: Make sure that the wall and floor are square and plumb to ensure proper installation.

安装之前

- 遵守当地所有给排水及建筑规定。
- 安装之前先开启新脸盆的包装，检查有无破损后放回纸箱中以免碰坏，到准备安装时才取用。
- 本说明书所含一切资料，均以印刷时所有的最新产品为准。科勒公司保留随时更改产品特性，包装或供应情况的权利，恕不另行通知。
- 部件尺寸为标定值，误差符合美国ASME标准(A112.19.2-2013)。
- 本产品符合GB 6952-2015。

注意：墙壁和地板必须方正、平整和水平。

ORDERING INFORMATION

MaxiSpace Vanity 600mm.....K-96120T-1
MaxiSpace Vanity 900mm.....K-96121T-1

订购信息

博纳一体化台盆 600mm.....K-96120T-1
博纳一体化台盆 900mm.....K-96121T-1

REQUIRED MATERIALS/TOOLS (NOT SUPPLIED)

- Level
- Drill with 6mm bit
- 14mm wrench
- Framing square
- Channel lock pliers
- Tape measure
- Pencil

所需工具和材料 (不随货供应)

- 水平尺
- 带6mm钻头的电锤钻
- 14mm板钳
- 定位直尺
- 锁钳
- 卷尺
- 铅笔

No.2 KOHLER ROAD, SANSHUI CENTRAL INDUSTRIAL PARK, LEPING TOWN, SANSHUI DIST., FOSHAN, GUANGDONG, PRC POST CODE 528137
广东省佛山市三水区乐平镇三水中心工业园区科勒大道2号 邮编：528137

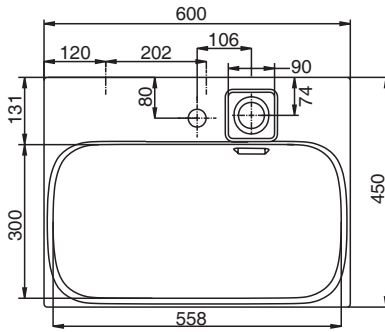
8# MENGSHAN RD, ECONOMIC DEVELOPMENT ZONE OF HUANTAI, ZIBO, SHANDONG, CHINA POST CODE: 256410
山东省淄博市桓台经济开发区蒙山路8号 邮编：256410

ROUGHING-IN

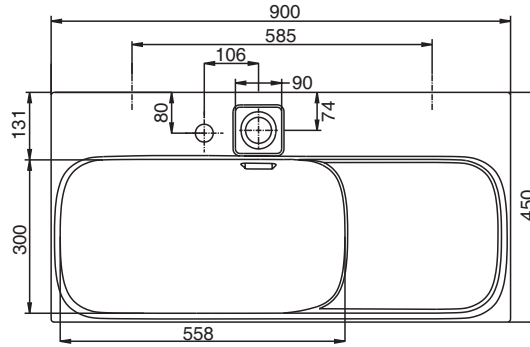
尺寸图

Reference Value
参考值

K-96120T-1

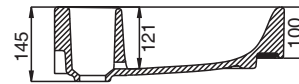


K-96121T-1



UNIT: mm
单位:毫米

Fig.#1
图1



Kohler reserves the right to change marked dimensions without prior notice.
科勒公司保留随时变更图中标示尺寸的权利，无需另行通知。

INSTALLATION

安装

Install the Basin

安装脸盆

Note! The lavatory tops must be installed on a cabinet (refer to Installation and User Guide packed with the cabinet for installation details).

注意！此脸盆必须装在橱柜上。（参考附在橱柜内的安装说明获取安装信息。）

- Recommend Kohler bathroom furniture for support or decoration.
- Rough-in the supplies and the drain piping.

- 推荐使用科勒浴室家具作为支撑和装饰。
- 画出供水及排水管道及阀门的轮廓线。

NOTE: The supply stop handles cannot extend more than 76mm from the finish wall when in the open position.

注意：供水开关手柄在打开位置时，距离完工墙面不得超过76mm。

- Drill two 10mm hanger bolt holes at the marks on the wall. The nylon anchors is needed for concrete wall (supplied).
- Mount hanger bolts to the wall so approximately 65-75mm of each bolt remains exposed.

- 在墙上标记处钻两个10mm的悬挂螺栓孔。水泥墙面则需要塑料膨胀杆(随货提供)。
- 将悬挂螺栓安装在墙上，并使每个螺栓保持外露约65-75mm。

- NOTE:**
1. The distance between drain center and wall is 74mm. Please use drain pipe of proper length.
 2. Height dimensions marked in fig. 2 and fig. 3 could be adjusted per your the vanity height of the console leg.
 3. Other fastening devices of sufficient size and strength may also be used.

- 注意：
1. 脸盆排水口中心到墙面距离为74mm，请选用合适的排水管。
 2. 图2和图3高度方向尺寸可根据橱柜的实际高度适当调整。
 3. 也可使用其它具有足够尺寸及强度的紧固装置。

K-96121T-1
MaxiSpace Vanity 900mm
博纳一体化台盆 900mm

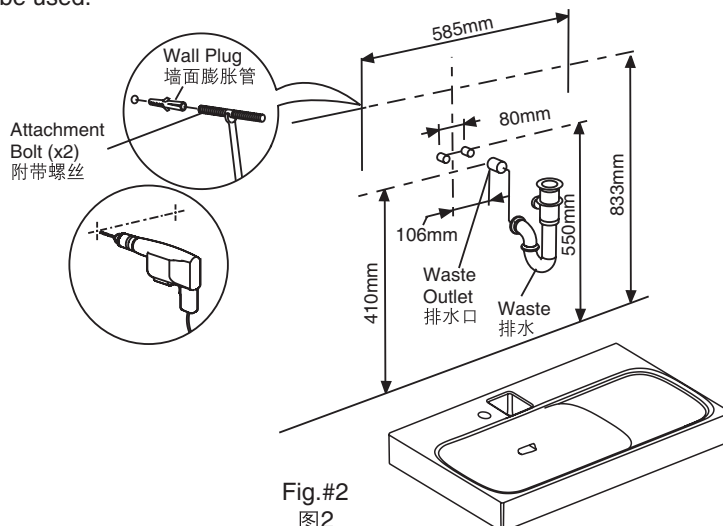


Fig.#2
图2

K-96120T-1
 MaxiSpace Vanity 600mm
 博纳一体化台盆 600mm

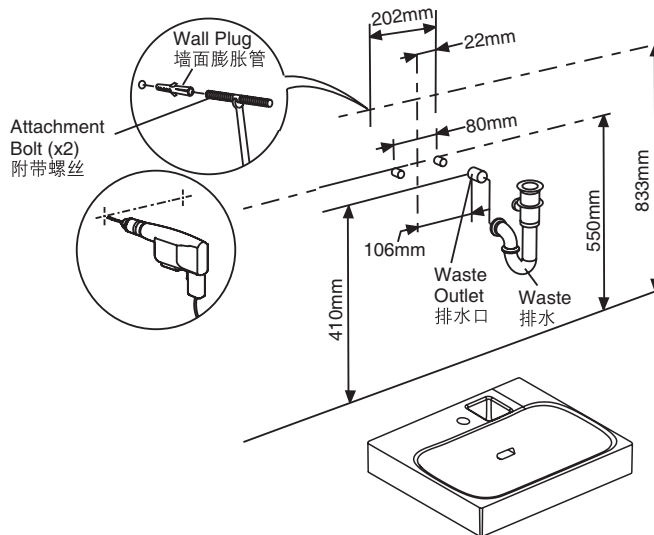


Fig.#3
 图3

- Install the faucet and drain to the lavatory according to the manufacture's instructions.
 - Put the sealant around the back wall attached surface of the lav evenly.
 - Carefully place the lavatory against the wall, so the hanger bolts extend through the lavatory holes.
 - Level the lavatory.
 - Install the cap nuts and washers, and tighten until snug.
- 按照制造商之要求，将水龙头及下水管道安装在洗面盆上。
 - 在洗脸盆靠墙面的四周，均匀地涂上密封胶。
 - 小心地将洗面盆依墙放置，使悬挂螺栓穿过洗面盆的孔。
 - 调平洗面盆。
 - 安上螺母及垫圈，拧紧。

⚠ CAUTION: Risk of product damage. Do not overtighten the cap nuts. Overtightening may cause damage to the product.

⚠ 小心！ 不要把螺帽过分拧紧，否则可能损坏产品。

- Clean the lavatory top.
- 清洁脸盆台面。

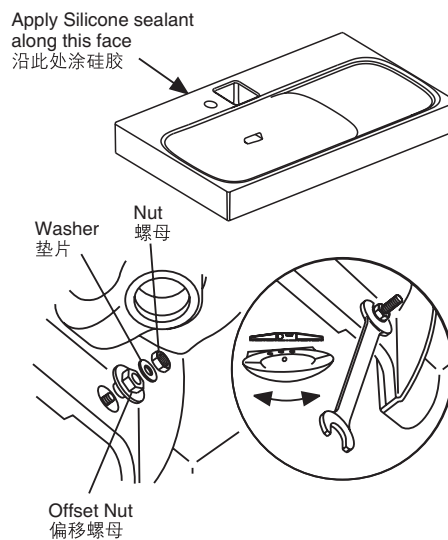


Fig.#4
 图4

Install the Free Drain

1. Install drain.

- ① Install free drain into the mounting hole of the lavatory.
Tighten the nut.
- ② Keep the spring valve core closed(shortened) and put it into the drain.

安装巧易洁

1. 安装落水器。

- ① 将巧易洁落水器部分放置到台盆安装孔，锁紧螺母。
- ② 将弹跳阀芯处于关闭(缩短)状态，放置到落水器中。

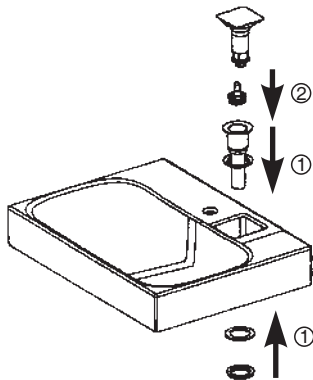


Fig.#5
图5

2. Install button.

As shown in Fig.6, rotate adjusting pipe to a proper height. Place the button in place and fix it to against the spring valve core. After installation, in case the height is not suitable, take out it, readjust and reinstall. After installation, the top of the button shall be almost level (0~1mm) with lavatory top.

2. 安装按压器。

图6，旋转调节管，调到一个合适高度，将按压器放入安装位，向下按压安装，顶住弹跳阀芯，安装好之后，如高度偏差过大，取出按压器，重新调整高度，再安装，最终使按压器的上表面和台盆的陶瓷面基本齐平(0~1mm)。

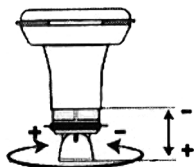


Fig.#6
图6

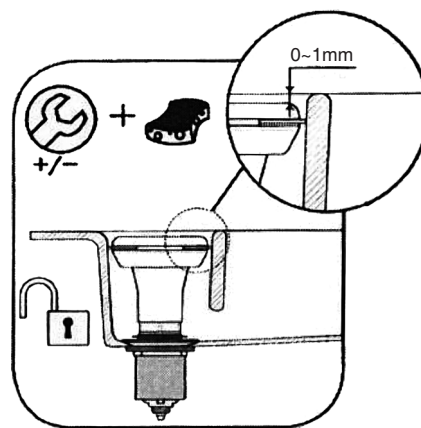




Fig.#7
图7

Install the Plumbing

1. Install the drain in accordance with the manufacturer's instructions.

NOTE: The distance between drain center and wall is 74mm. Please use drain pipe of proper length.



-  **Caution!** Make sure a watertight seal exists on all basin drain connections.
-  **Caution!** Provide access to the plumbing connections for future plumbing maintenance.

2. Connect the hot and cold water supplies.
3. Open the hot and cold water valves, and check the supply connections for leaks.
4. Run water into the basin, and check the drain connections for leaks.

安装管道

1. 根据制造商安装说明安装落水。

注意：脸盆排水口中心到墙面距离为74mm，请选用合适的排水管。

-  **警告！** 确保在脸盆所有的排水连接处有防水密封。
-  **警告！** 提供管道连接检修门以便日后管道维护。

2. 连接冷热供水。
3. 打开冷热水阀，检查供水连接是否漏水。
4. 向脸盆中注水，检查排水连接是否漏水。

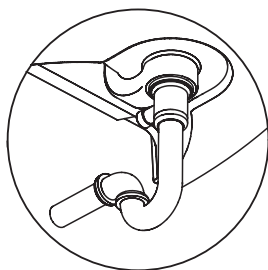


Fig.#8
图8

FREE DRAIN USAGE

巧易洁使用方法

- Lightly press the free drain to the bottom and then release. Close/open free drain to fill/empty the lavatory.
- 向下轻按到底后释放，关闭/打开落水器，进行储水/排水操作。

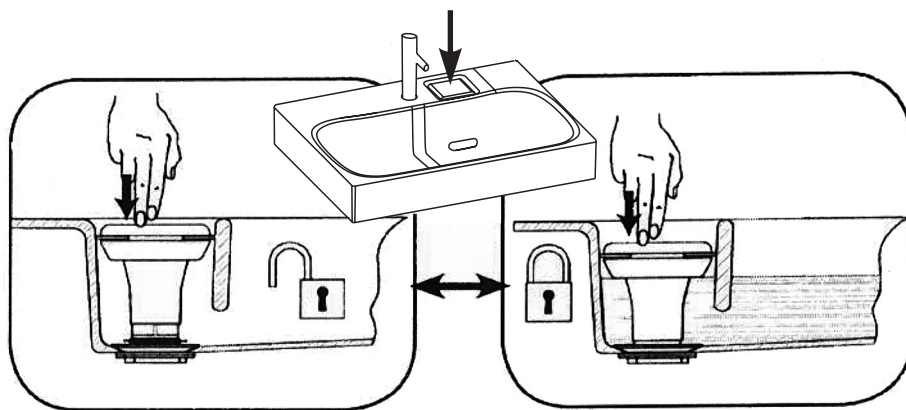


Fig.#9
图9

FREE DRAIN CLEANING

- When the free drain is closed, press it and release, free drain will pop out. Take out the button and the filter for cleaning. The filter can be removed separately for further cleaning.

巧易洁清洁方法

- 在巧易洁处于关闭状态下，稍用力按压释放，巧易洁会弹出台盆，取出巧易洁按压器，清洁按压器。再取出滤网滤芯，对滤网进行清洁。更可以旋下滤网，进一步清洁滤网。

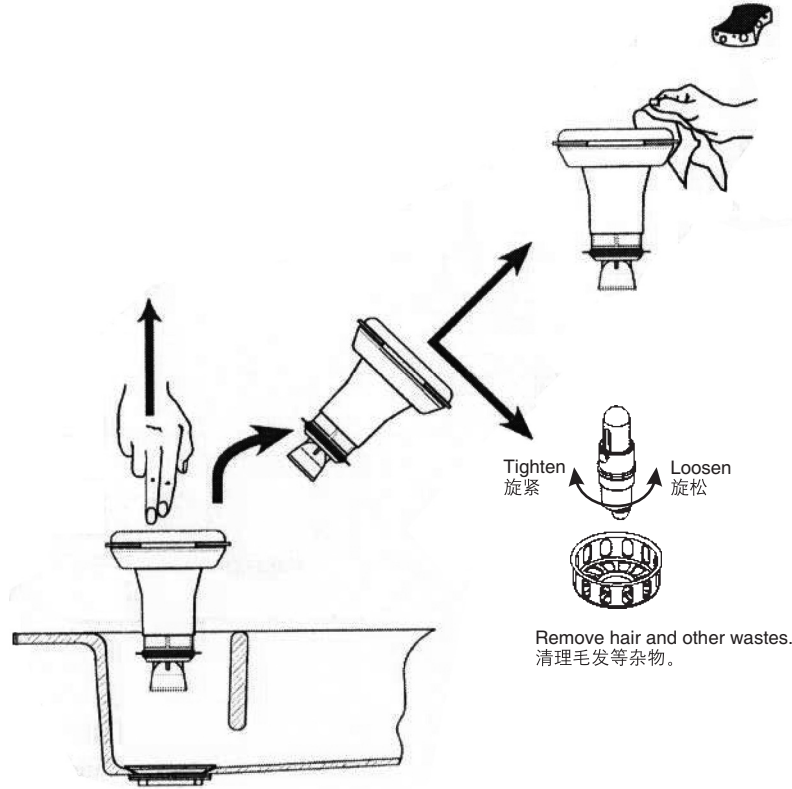


Fig.#10
图10

TROUBLESHOOTING

巧易洁故障排除方法

Symptom	Action
1. The free drain is not level with the lavatory.	1. Take the button out, rotate the adjusting pipe to a proper height.
2. Water drains too slowly.	2. Take out the button and clean the filter.
3. Button cannot be easily taken out.	3. Do not press with force. Please remove it with thin tools. Adjust the free drain slightly higher for reinstallation.
4. Button easily pop out when filling or draining the lavatory.	4. Adjust the free drain slightly lower for installation.

现象	处理方法
1. 巧易洁安装好之后与台盆面落差过大。	1. 取出按压器，旋动调节管，调整高度。
2. 排水速度过慢。	2. 巧易洁过滤网需清理，取出按压器，清理过滤网。
3. 多次操作,按压器仍不易取出。	3. 请勿继续用力按压，请借助片状工具，轻轻撬开，取出按压器。再次安装时，旋转调节管，稍调高巧易洁进行安装。
4. 当正常使用按压器进行排水储水操作时,按压器极易跳出。	4. 请旋转调节管，稍调低巧易洁进行安装。

IMPORTANT CONSUMER INFORMATION

用户须知

CARE AND CLEANING


 **Caution! Risk of product damage.**

Many cleaners contain abrasive and chemical substances, and should not be used for cleaning stainless steel, enamel, plated or plastic fittings.


These finishes should be cleaned using a mild washing up detergent or soap solution, rinsed and then wiped dry with a soft clean cloth.

To keep your lavatory looking new, make sure you rinse it out thoroughly after each use. **DO NOT USE ABRASIVES** on this product, as they will scratch and ruin the surface. Stubborn stains, paint, or tar can be removed with turpentine or paint thinner.

Do not use the product in the water below 0°C.

 **CAUTION:** Please do not use hard materials (like scouring pad) to clean product surface, especially the product logo.

护理及清洁


 **警告！** 有产品损坏的危险。

许多清洁剂包含磨损性的化学物质，不应该用来清洗不锈钢、釉质、镀金或塑料部件。

这些部件应用温和的清洁剂或者肥皂水来清洗、漂净，然后用柔软干净的布擦干。

为保持脸盆常新，请确保每次使用后立即彻底冲洗，但切勿用腐蚀性清洁剂，以防止刮花或磨损盆面。如有顽渍、油漆或柏油点，可用松油或油漆稀释剂清洗。

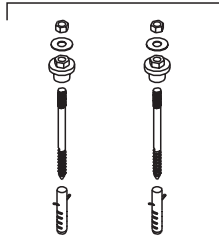
不要在0°C以下的水环境中使用。

 **警告：** 请勿使用钢丝球等硬质材料擦洗产品表面，特别是产品商标处。

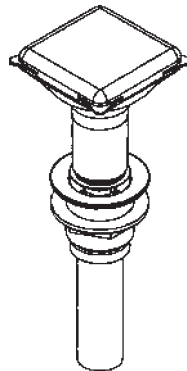
SERVICE PARTS

维修零件

1034692
Assy. Pack
安装配件



1249543-CP
Free Drain, Assy



50209T-VB1
Wash Board
搓衣板
Only for K-96121T-1
仅用于K-96121T-1

